

A

A

B

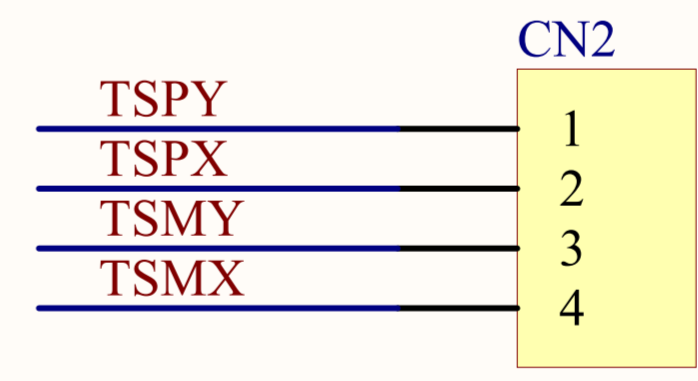
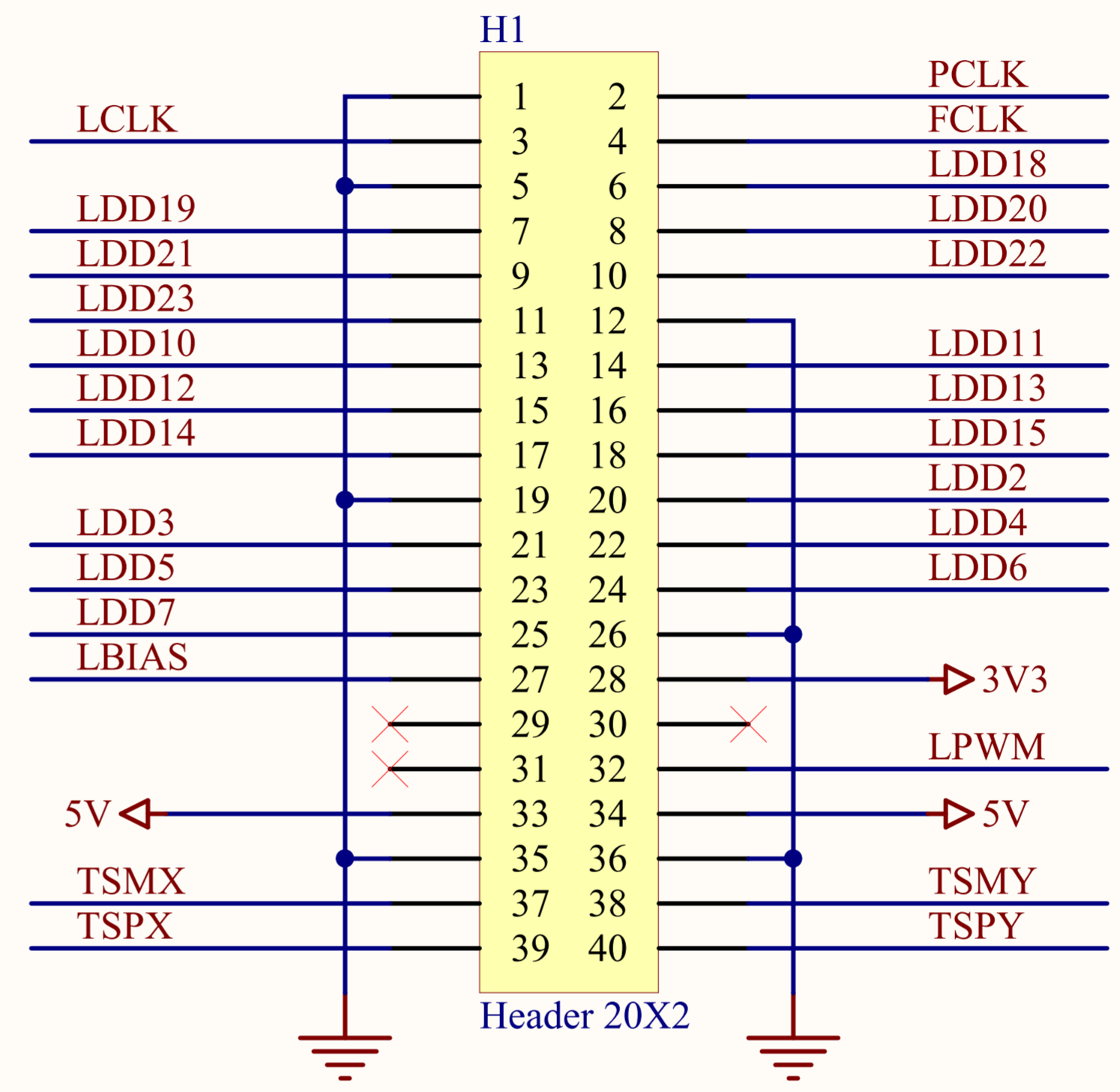
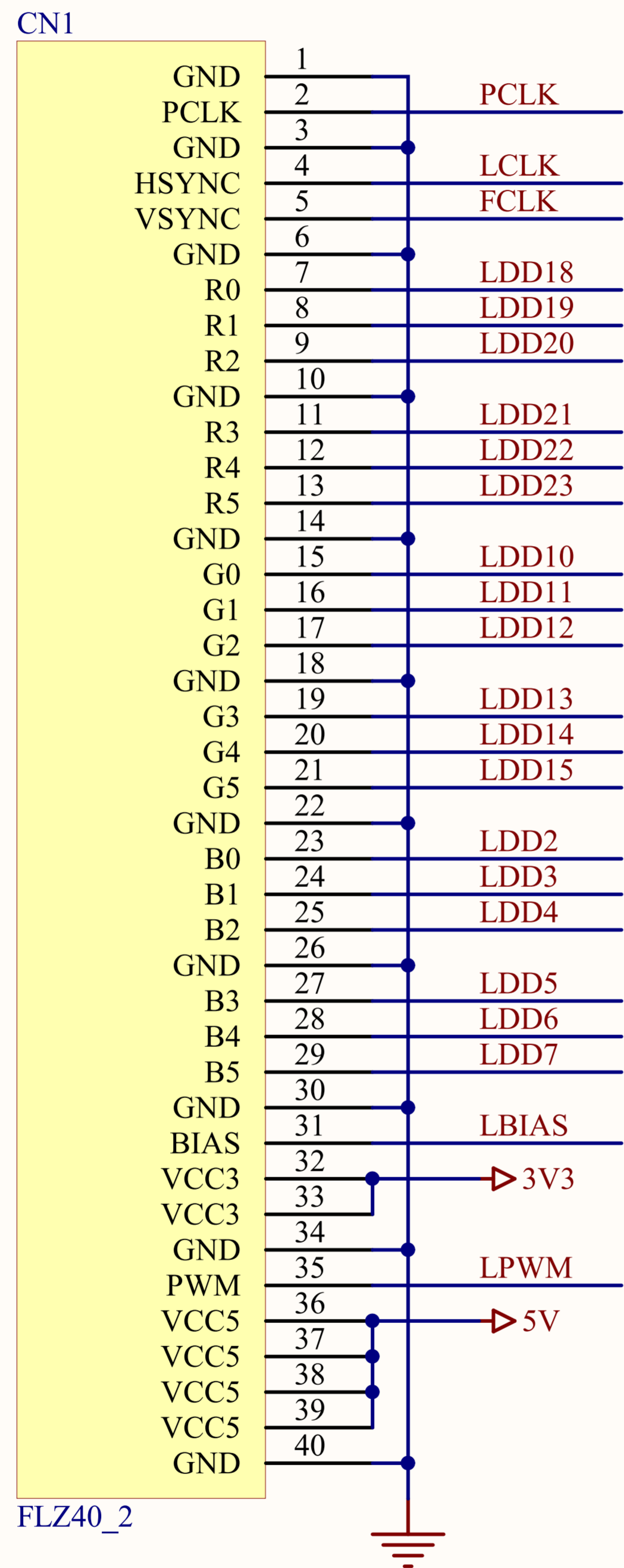
B

C

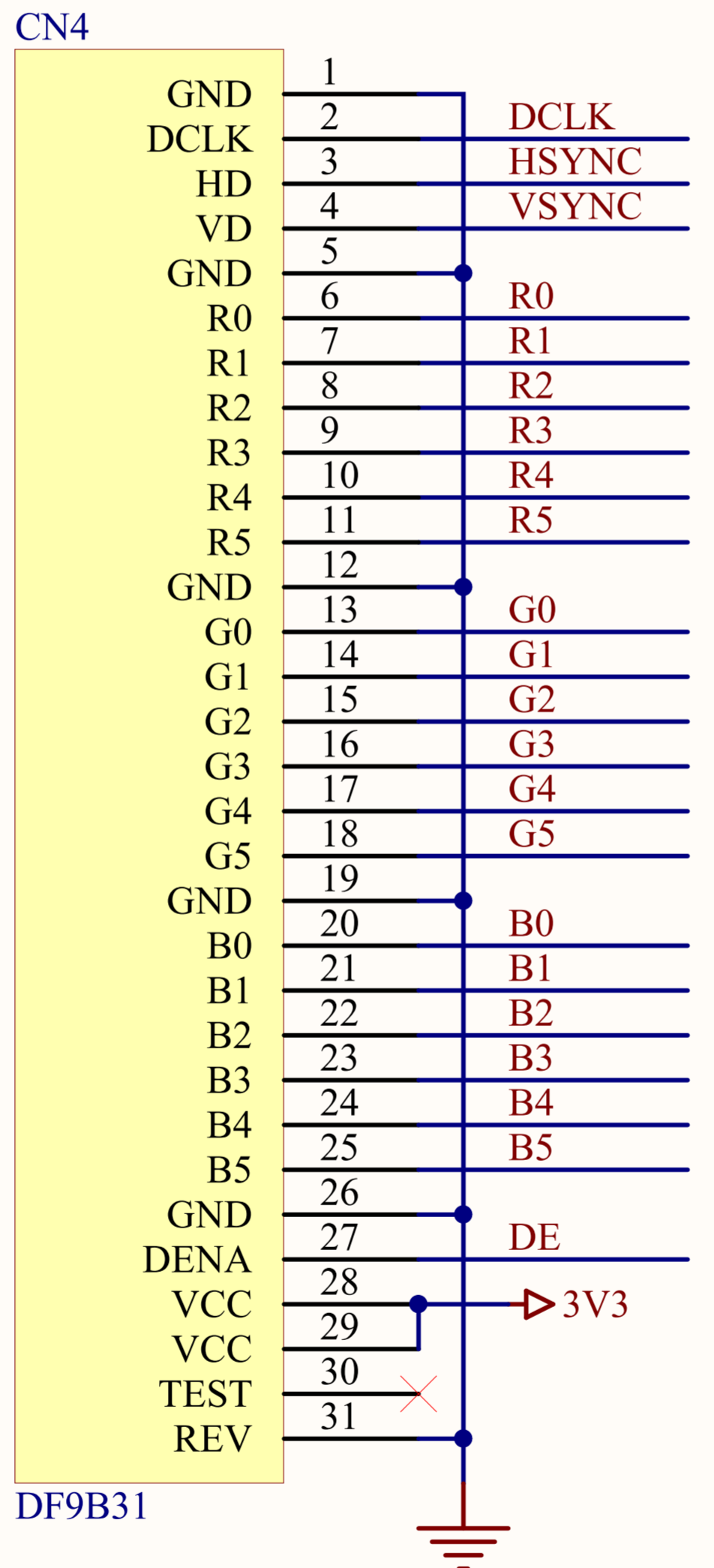
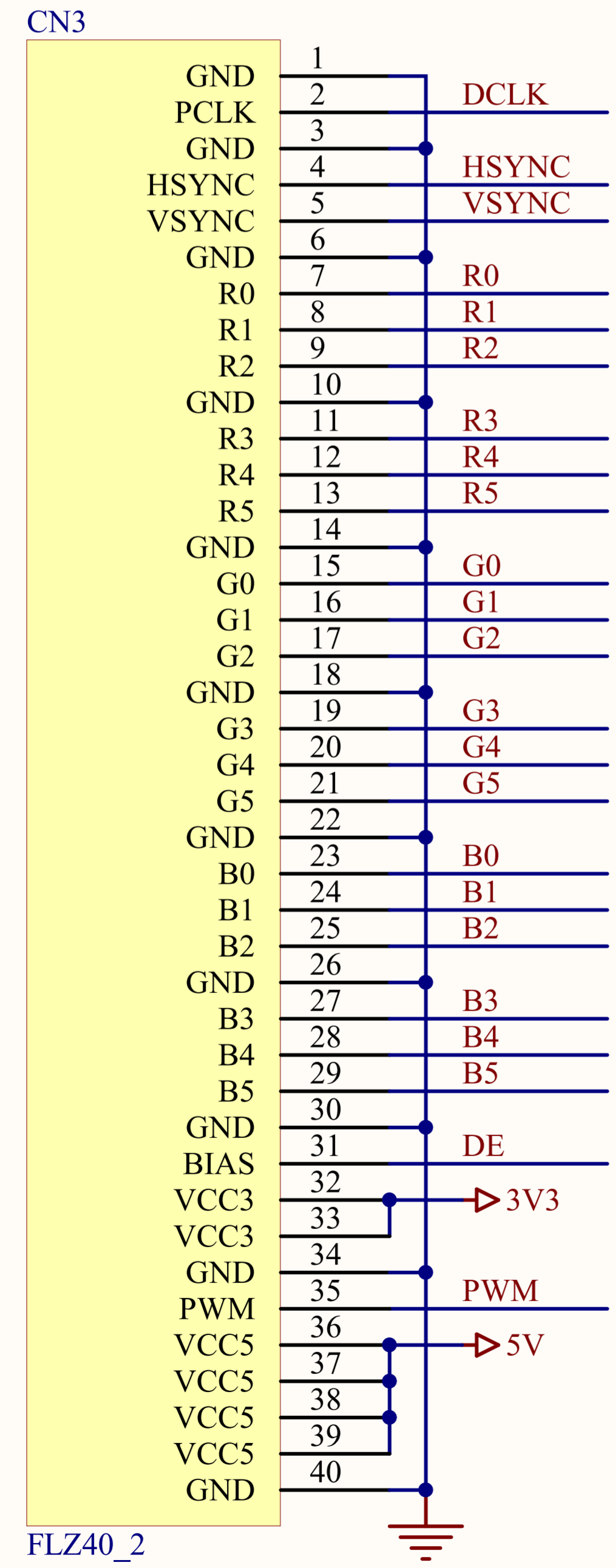
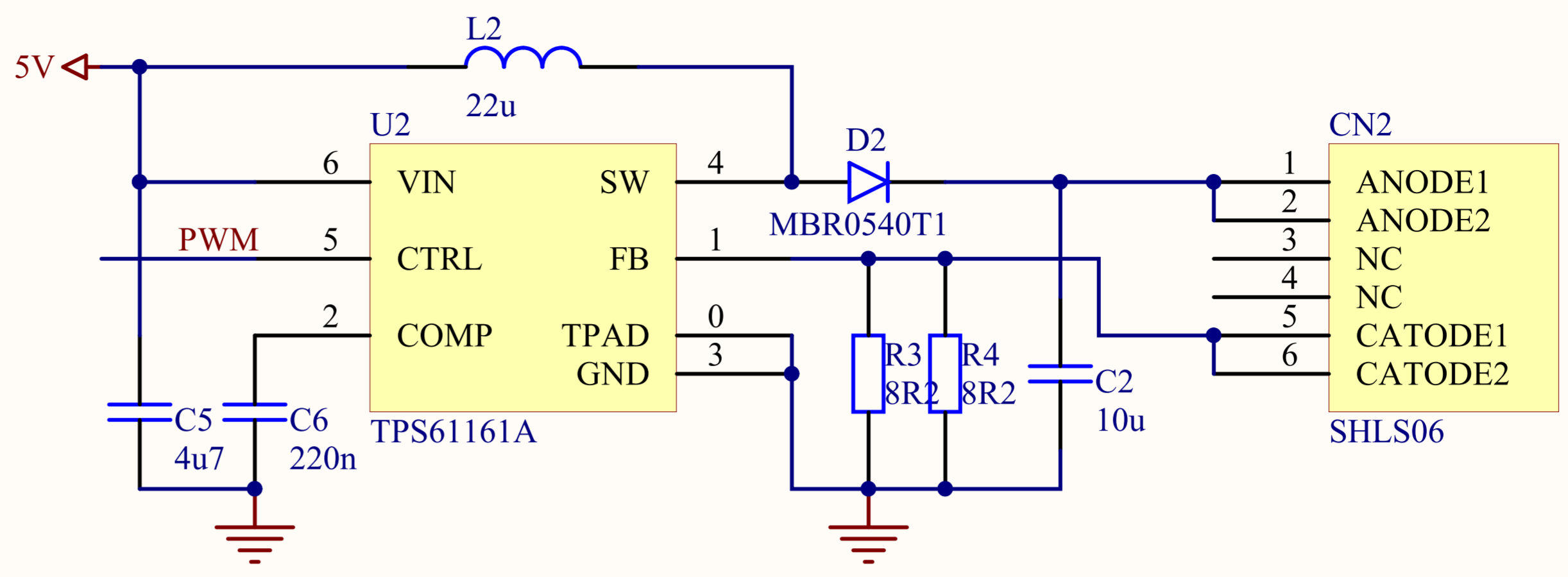
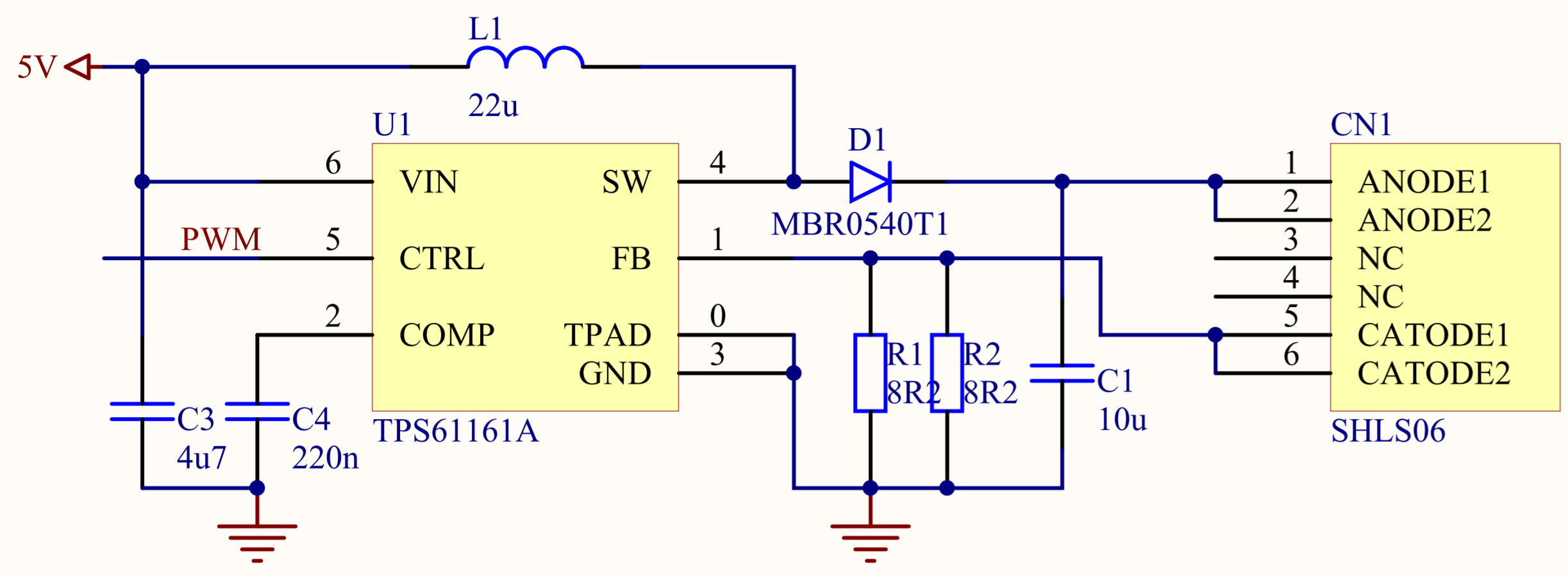
C

D

D



Title		
Size	Number	Revision
A		
Date:	10/10/2011	Sheet of
File:	C:\Program Files\...\dispad5.SchDoc	Drawn By:



Title		
Size	Number	Revision
A		
Date:	10/10/2011	Sheet of
File:	C:\Program Files\...\dispad4.SchDoc	Drawn By: