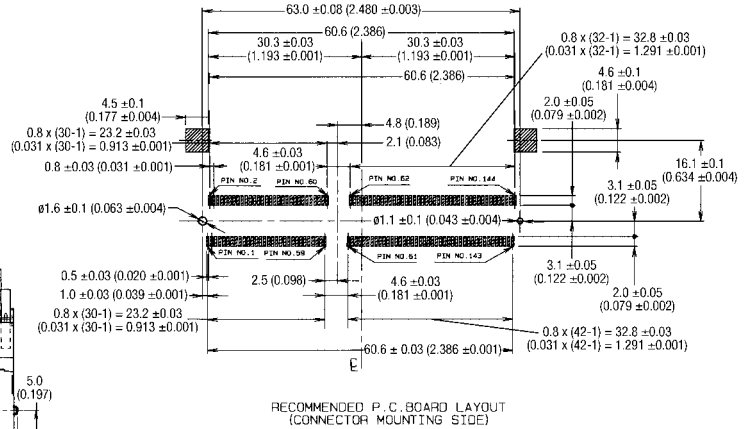
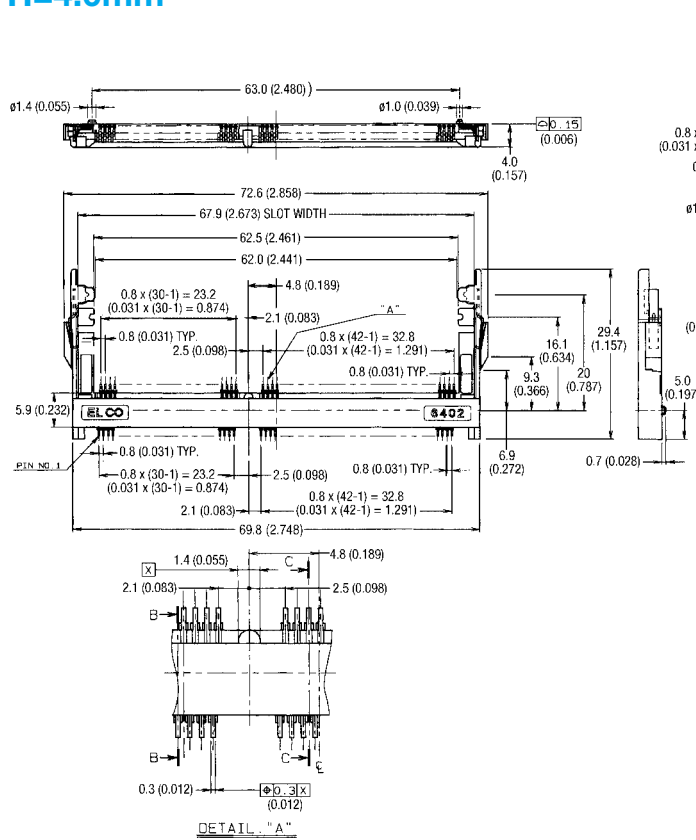


S.O. DIMM Connectors



Series 6402 144P Right Angle SMT with Plastic Latch

H=4.0mm

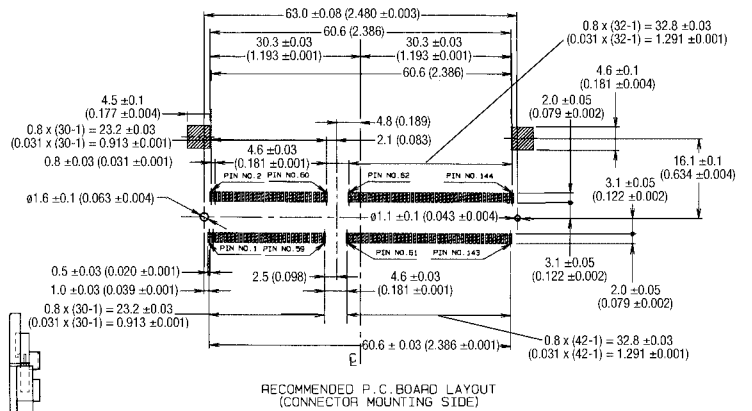
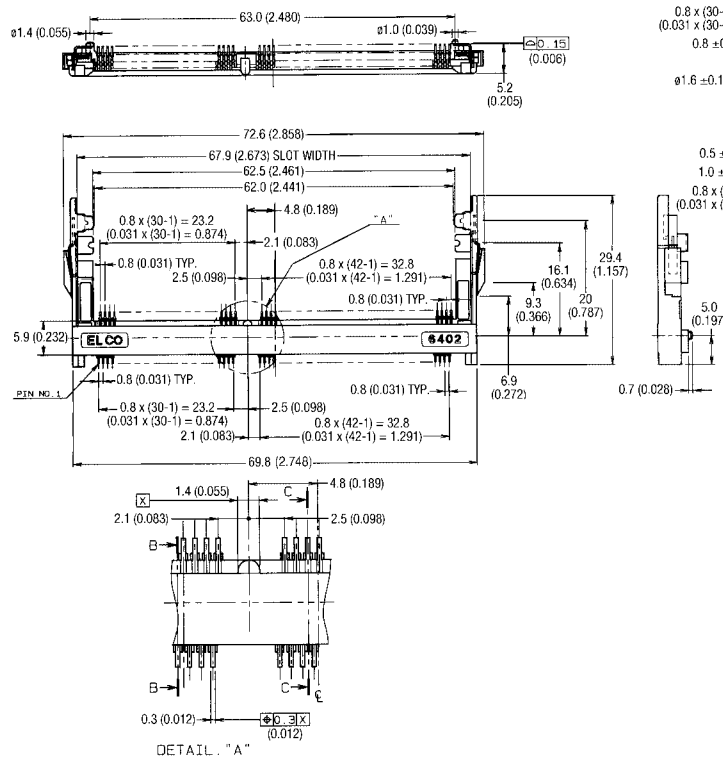


HOW TO ORDER

29 6402 144 000 856

QUANTITY: 20/TRAY
200/BOX

H=5.2mm



HOW TO ORDER

29 6402 144 001 856

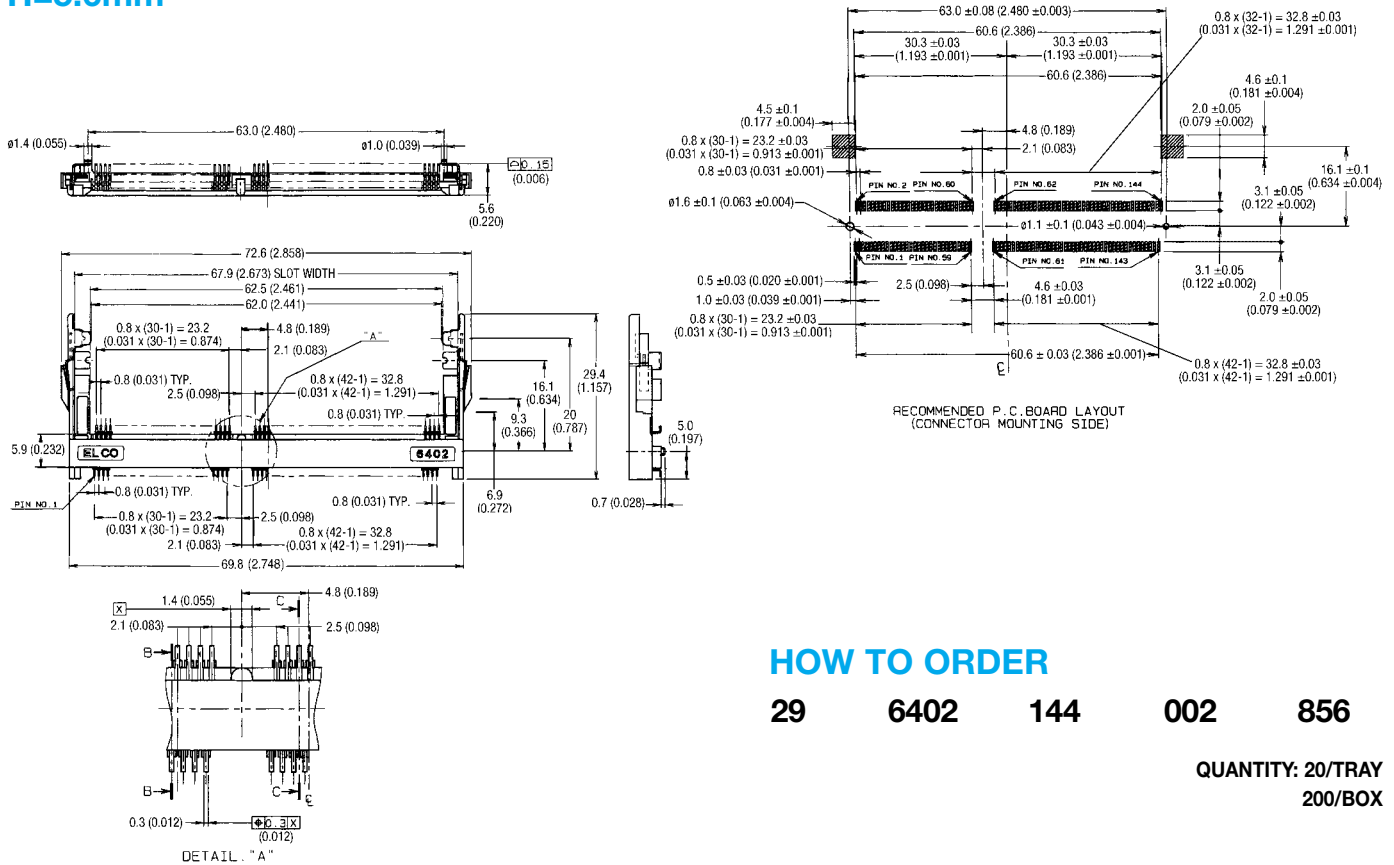
QUANTITY: 20/TRAY
200/BOX

S.O. DIMM Connectors



Series 6402 144P Right Angle SMT with Plastic Latch

H=5.6mm

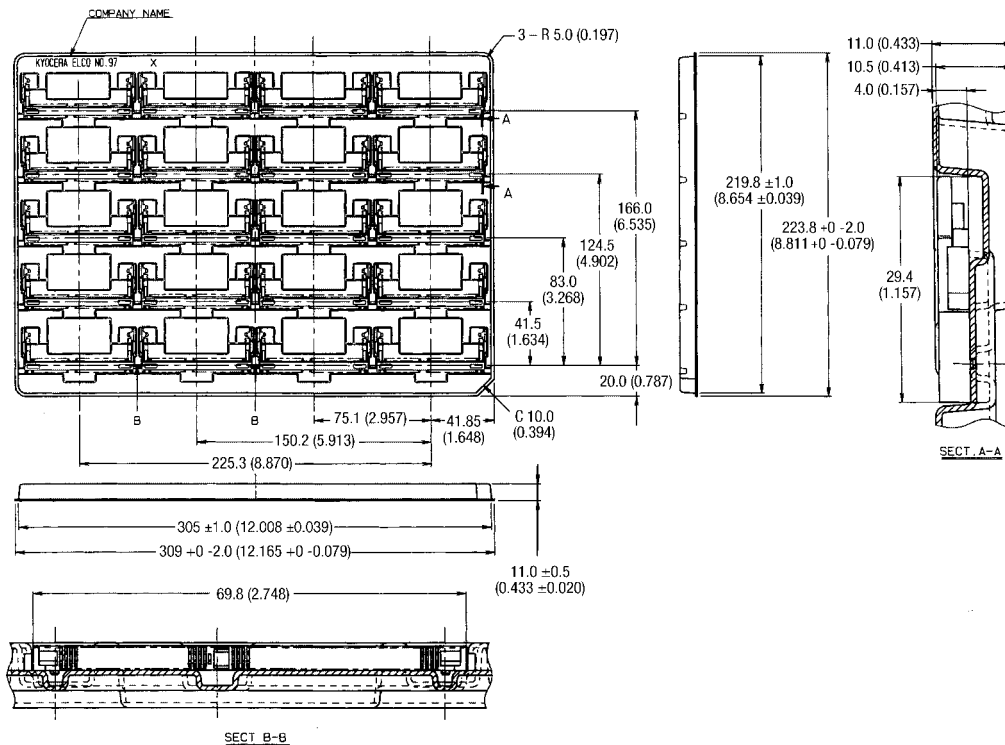


HOW TO ORDER

29 6402 144 002 856

QUANTITY: 20/TRAY
200/BOX

TRAY/PACKAGE



S.O. DIMM Connectors



Notice

The memory board shall be inserted and separated correctly, according to direction and process as shown below.

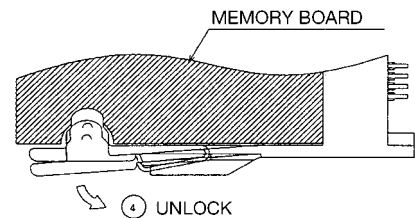
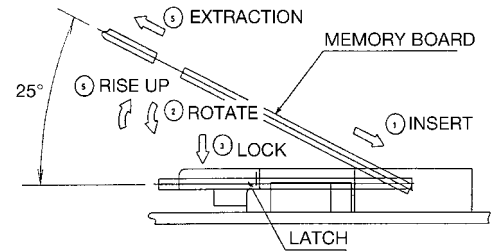
RIGHT ANGLE TYPE (6401/6402)

Method of Insertion

1. The memory board shall be inserted completely.
2. It shall be rotated.
3. It shall be pushed into the latch on both sides from upward.

Method of Separation

4. The latch on both sides shall be unlocked.
5. After the memory board rises, it shall be extracted.



STRAIGHT TYPE (6403)

Method of Insertion

1. The lever on both sides shall be unlocked and memory board shall be inserted.
2. The memory board shall be inserted even the latch on both sides shall be locked.

Method of Separation

3. The lever on both sides shall be unlocked.
4. The memory board shall be extracted.

