

GlobTek, Inc. www.globtek.com 186 Veterans Drive, Northvale, NJ 07647 Tel. (201) 784-1000 Fax (201) 784-0111	Drawing Title: CEE7 standard sheet XVII (CEE 7/17) (without GROUND receptacle) to IEC320/C17, GT Cable #423: 1.0mmsq / 2 Conductors, 6.7mm OD, H05VV-F, 70 Deg.C, 500V, BLU/BRN, Approvals: VDE, S, N, FI, IMQ, KEMA, SEV, SAA,2500mm, GlobTek Black	
	Model No. Power Cord	
	Part No./Ordering No. 489C4232M571A(R)	Rev A1

CUSTOMIZED LENGTHS, COLORS, CABLE TYPES, TERMINATIONS/PLUGS/RECEPTACLES AVAILABLE UPON REQUEST. ADDITIONAL PLUG OPTIONS ARE AVAILABLE AT <https://www.globtek.com/connectors/> STANDARD PLUGS AND CONNECTORS CAN BE SEEN ONLINE AT <https://www.globtek.com/connectors/> ACTUAL CONNECTORS, OVERMOLDS, FERRITES MAY VARY SLIGHTLY FROM THE PICTURE BELOW DIMENSIONS ARE IN MM UNLESS SPECIFIED OTHERWISE

REVISION HISTORY

REV	DESCRIPTION	SUB	DATE	APPROVED
A1	Update plug rating from 10A to 16A maximum; Add cordset drawing,		06/30/2020	QA
A	Initial release		04/16/2020	QA

In Addition to GlobTek Inc.'s renewed ISO9001:2008 - Quality Management System Certification, GlobTek Inc. is now certified to:

ISO13485:2003 - Medical Devices Quality Management System Certification
ISO14001:2004 - Environmental Management System Certification

ISO Certificates are available online at <https://www.globtek.com/iso-certificates/>
Prop 65 Statement: <https://en.globtek.com/prop-65-statement.pdf>

Customer Approval of Specification:

Please approve, sign and send back to GlobTek so we can complete order processing.

A delay in receipt of this form will delay delivery schedule.

Company Name:

Customer P/N:

Quote Number:

Date:

Authorized Representative Name:

Authorized Representative Signature:

The acceptance of this specification and use of the product described in this document indicates the acceptance and binding of the customer to Globtek terms and conditions, which supersede all other agreements, terms, and conditions (<https://en.globtek.com/terms-and-conditions/>).

GlobTek, Inc. www.globtek.com 186 Veterans Drive, Northvale, NJ 07647 Tel. (201) 784-1000 Fax (201) 784-0111	Drawing Title: CEE7 standard sheet XVII (CEE 7/17) (without GROUND receptacle) to IEC320/C17, GT Cable #423: 1.0mmsq / 2 Conductors, 6.7mm OD, H05VV-F, 70 Deg.C, 500V, BLU/BRN, Approvals: VDE, S, N, FI, IMQ, KEMA, SEV, SAA,2500mm, GlobTek Black	
	Model No. Power Cord	
	Part No./Ordering No. 489C4232M571A(R)	Rev A1

CUSTOMIZED LENGTHS, COLORS, CABLE TYPES, TERMINATIONS/PLUGS/RECEPTACLES AVAILABLE UPON REQUEST. ADDITIONAL PLUG OPTIONS ARE AVAILABLE AT <https://www.globtek.com/connectors/> STANDARD PLUGS AND CONNECTORS CAN BE SEEN ONLINE AT <https://www.globtek.com/connectors/> ACTUAL CONNECTORS, OVERMOLDS, FERRITES MAY VARY SLIGHTLY FROM THE PICTURE BELOW DIMENSIONS ARE IN MM UNLESS SPECIFIED OTHERWISE

The purchaser of this product (Customer) agrees that it is their sole responsibility to determine suitability/fitness of the product described in this specification for their application and to take precautions for protection against any hazards attendant to the handling and use of the product.

Footnote:

GlobTek Inc. will not be liable for the safety and performance of these power supplies if unauthorized access and repair occurs. End user should consult applicable UL, CSA or EN standards for proper installation instruction.

Limitation of Use:

GlobTek products are intended for use with commercial, medical, and/or industrial equipment only. GlobTek product are not authorized for use as mission critical components in life support hazardous environment, nuclear or aircraft applications without prior written approval from the CEO of GlobTek Inc.

Contents of this document are subject to change without prior notice.

GloTek, Inc. www.globtek.com 186 Veterans Drive, Northvale, NJ 07647 Tel. (201) 784-1000 Fax (201) 784-0111	Drawing Title: CEE7 standard sheet XVII (CEE 7/17) (without GROUND receptacle) to IEC320/C17, GT Cable #423: 1.0mmsq / 2 Conductors, 6.7mm OD, H05VV-F, 70 Deg.C, 500V, BLU/BRN, Approvals: VDE, S, N, FI, IMQ, KEMA, SEV, SAA,2500mm, GlobTek Black	
	Model No. Power Cord	
	Part No./Ordering No. 489C4232M571A(R)	Rev A1

CUSTOMIZED LENGTHS, COLORS, CABLE TYPES, TERMINATIONS/PLUGS/RECEPTACLES AVAILABLE UPON REQUEST. ADDITIONAL PLUG OPTIONS ARE AVAILABLE AT <https://www.globtek.com/connectors/> STANDARD PLUGS AND CONNECTORS CAN BE SEEN ONLINE AT <https://www.globtek.com/connectors/> ACTUAL CONNECTORS, OVERMOLDS, FERRITES MAY VARY SLIGHTLY FROM THE PICTURE BELOW DIMENSIONS ARE IN MM UNLESS SPECIFIED OTHERWISE

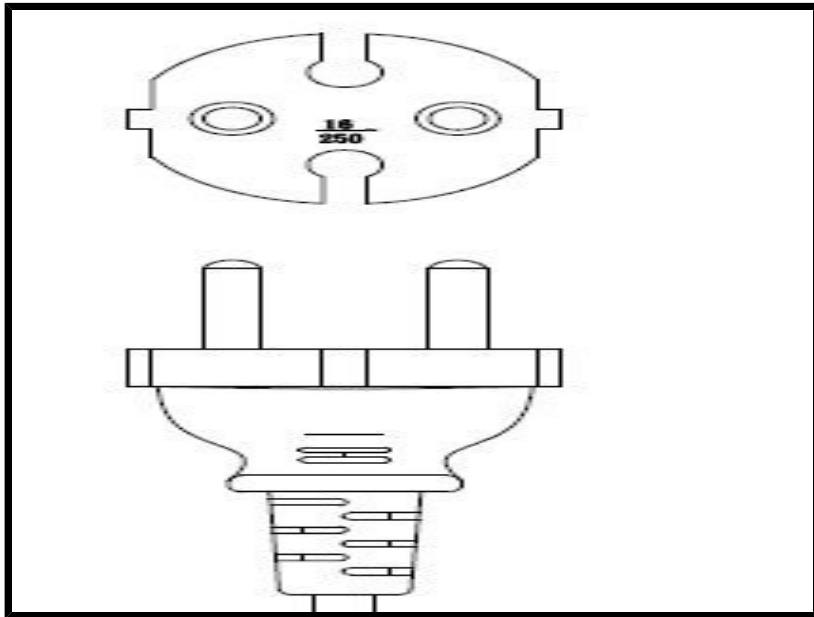
Cordset Information:
CordsetColor:GlobTek Black
Cord Length (mm):2500

NOTES:

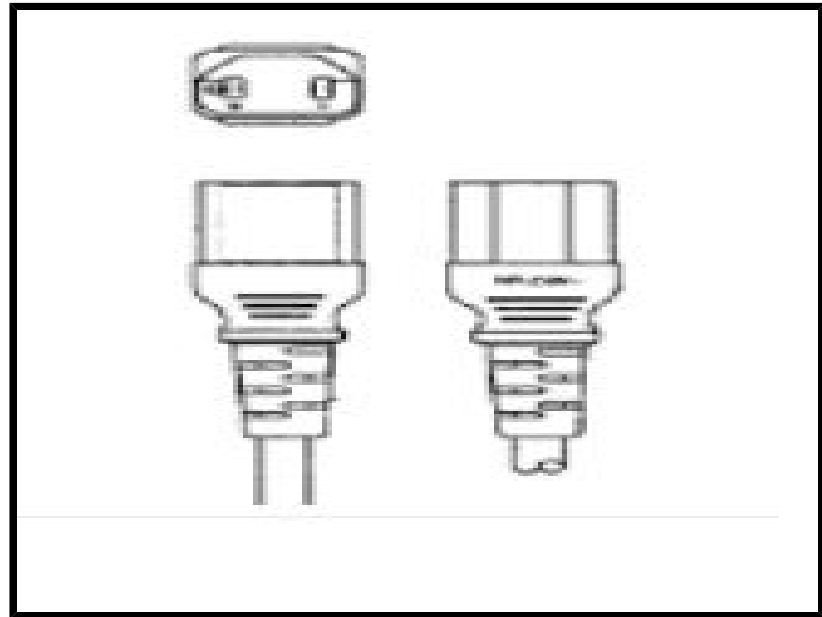
GlobTek, Inc. www.globtek.com 186 Veterans Drive, Northvale, NJ 07647 Tel. (201) 784-1000 Fax (201) 784-0111	Drawing Title: CEE7 standard sheet XVII (CEE 7/17) (without GROUND receptacle) to IEC320/C17, GT Cable #423: 1.0mmsq / 2 Conductors, 6.7mm OD, H05VV-F, 70 Deg.C, 500V, BLU/BRN, Approvals: VDE, S, N, FI, IMQ, KEMA, SEV, SAA,2500mm, GlobTek Black
	Model No. Power Cord
Part No./Ordering No. 489C4232M571A(R)	Rev A1

CUSTOMIZED LENGTHS, COLORS, CABLE TYPES, TERMINATIONS/PLUGS/RECEPTACLES AVAILABLE UPON REQUEST. ADDITIONAL PLUG OPTIONS ARE AVAILABLE AT <https://www.globtek.com/connectors/> STANDARD PLUGS AND CONNECTORS CAN BE SEEN ONLINE AT <https://www.globtek.com/connectors/> ACTUAL CONNECTORS, OVERMOLDS, FERRITES MAY VARY SLIGHTLY FROM THE PICTURE BELOW DIMENSIONS ARE IN MM UNLESS SPECIFIED OTHERWISE

END A



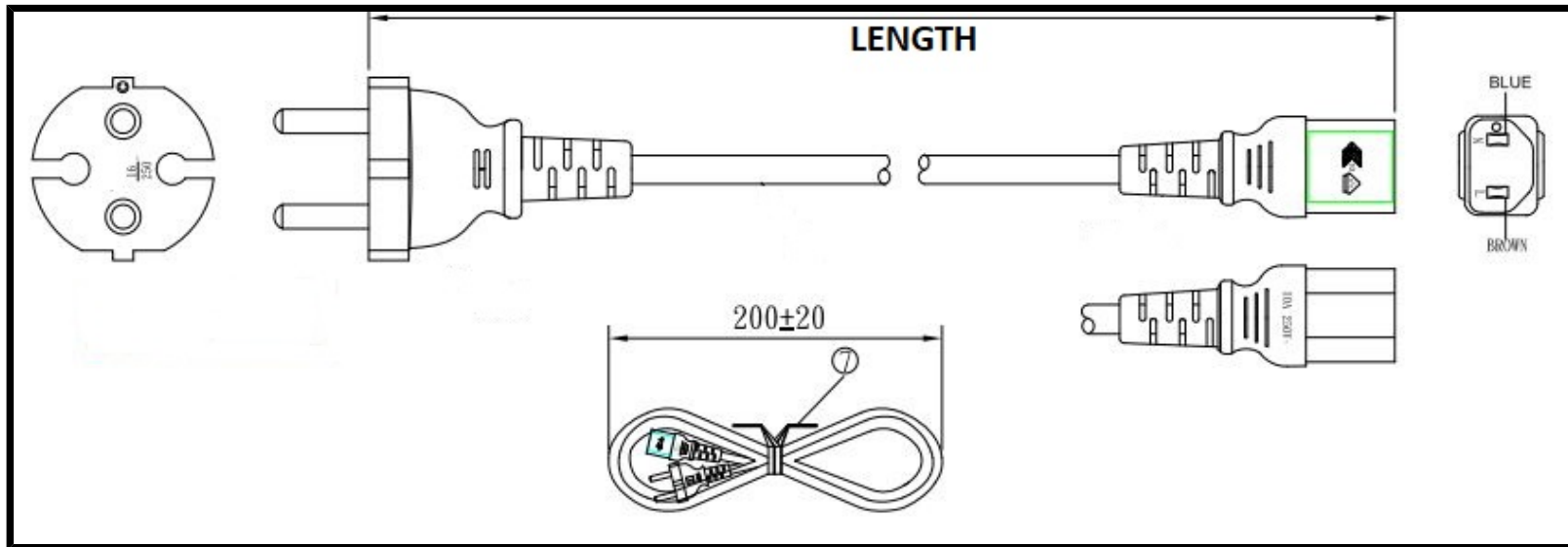
END B



GlobTek, Inc. www.globtek.com 186 Veterans Drive, Northvale, NJ 07647 Tel. (201) 784-1000 Fax (201) 784-0111	Drawing Title: CEE7 standard sheet XVII (CEE 7/17) (without GROUND receptacle) to IEC320/C17, GT Cable #423: 1.0mmsq / 2 Conductors, 6.7mm OD, H05VV-F, 70 Deg.C, 500V, BLU/BRN, Approvals: VDE, S, N, FI, IMQ, KEMA, SEV, SAA,2500mm, GlobTek Black
	Model No. Power Cord
Part No./Ordering No. 489C4232M571A(R)	Rev A1

CUSTOMIZED LENGTHS, COLORS, CABLE TYPES, TERMINATIONS/PLUGS/RECEPTACLES AVAILABLE UPON REQUEST. ADDITIONAL PLUG OPTIONS ARE AVAILABLE AT <https://www.globtek.com/connectors/> STANDARD PLUGS AND CONNECTORS CAN BE SEEN ONLINE AT <https://www.globtek.com/connectors/> ACTUAL CONNECTORS, OVERMOLDS, FERRITES MAY VARY SLIGHTLY FROM THE PICTURE BELOW DIMENSIONS ARE IN MM UNLESS SPECIFIED OTHERWISE

CABLE IMAGE



GloTek, Inc. www.globtek.com 186 Veterans Drive, Northvale, NJ 07647 Tel. (201) 784-1000 Fax (201) 784-0111	Drawing Title: CEE7 standard sheet XVII (CEE 7/17) (without GROUND receptacle) to IEC320/C17, GT Cable #423: 1.0mmsq / 2 Conductors, 6.7mm OD, H05VV-F, 70 Deg.C, 500V, BLU/BRN, Approvals: VDE, S, N, FI, IMQ, KEMA, SEV, SAA,2500mm, GlobTek Black
	Model No. Power Cord
Part No./Ordering No. 489C4232M571A(R)	Rev A1

CUSTOMIZED LENGTHS, COLORS, CABLE TYPES, TERMINATIONS/PLUGS/RECEPTACLES AVAILABLE UPON REQUEST. ADDITIONAL PLUG OPTIONS ARE AVAILABLE AT <https://www.globtek.com/connectors/> STANDARD PLUGS AND CONNECTORS CAN BE SEEN ONLINE AT <https://www.globtek.com/connectors/> ACTUAL CONNECTORS, OVERMOLDS, FERRITES MAY VARY SLIGHTLY FROM THE PICTURE BELOW DIMENSIONS ARE IN MM UNLESS SPECIFIED OTHERWISE

End A Code:489C Description:CEE7 standard sheet XVII (CEE 7/17) (without GROUND receptacle) Rating (V):250 Rating (A):16.0 Gender:Male Overmolded:Yes	Cable Code:423 Description:GT Cable #423: 1.0mmsq / 2 Conductors, 6.7mm OD, H05VV-F, 70 Deg.C, 500V, BLU/BRN, Approvals: VDE, S, N, FI, IMQ, KEMA, SEV, SAA Color:GlobTek Black Wire Gauge(AWG):1.0mmsq Cond:2 Type:H05VV-F Temperature:70° C Amps:10 Volts:500 OD:6.7 ConductorsColors:BLU/BRN	End B Code:071A-EU Description:IEC320/C17 Rating (V):250 Rating (A):10.0 Gender:Female Overmolded:Yes
--	---	--

Overall cable rating:10A / 250V~

Plug Approvals



European approvals

Cable Approvals



SAA+RCM



Euro + SAA

Connector Approvals



ENEC-VDE

AGENCY ONLINE DOCUMENTS

RoHS/RoHS3 Declaration

<http://en.globtek.com/cordsets/>
https://www.globtek.com/pdf/rohs_cert/01t3a000004gBEiAAM

REACH Declaration

https://www.globtek.com/pdf/iso_certificates/REACH.pdf

Conflict Minerals Declaration

<https://www.globtek.com/pdf/conflict-minerals.pdf>

Prop 65 Statement

<https://en.globtek.com/prop-65-statement.pdf>

CE.UKCA.Cord

https://globtek.secure.force.com/spec/ec_decl_product_model_family_incl_cord?id=01t3a000004gBEi

GlobTek, Inc. www.globtek.com 186 Veterans Drive, Northvale, NJ 07647 Tel. (201) 784-1000 Fax (201) 784-0111	Drawing Title: CEE7 standard sheet XVII (CEE 7/17) (without GROUND receptacle) to IEC320/C17, GT Cable #423: 1.0mmsq / 2 Conductors, 6.7mm OD, H05VV-F, 70 Deg.C, 500V, BLU/BRN, Approvals: VDE, S, N, FI, IMQ, KEMA, SEV, SAA,2500mm, GlobTek Black	
	Model No. Power Cord	
	Part No./Ordering No. 489C4232M571A(R)	Rev A1

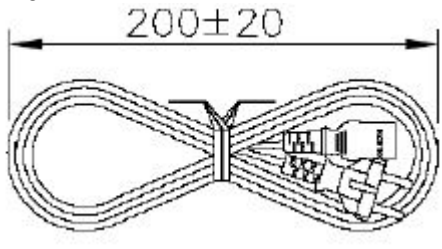
CUSTOMIZED LENGTHS, COLORS, CABLE TYPES, TERMINATIONS/PLUGS/RECEPTACLES AVAILABLE UPON REQUEST. ADDITIONAL PLUG OPTIONS ARE AVAILABLE AT <https://www.globtek.com/connectors/> STANDARD PLUGS AND CONNECTORS CAN BE SEEN ONLINE AT <https://www.globtek.com/connectors/> ACTUAL CONNECTORS, OVERMOLDS, FERRITES MAY VARY SLIGHTLY FROM THE PICTURE BELOW DIMENSIONS ARE IN MM UNLESS SPECIFIED OTHERWISE

IPXY rating is based on 3rd party testing and customers should check suitability and test system level IPXY rating before ordering.

GlobTek, Inc. www.globtek.com 186 Veterans Drive, Northvale, NJ 07647 Tel. (201) 784-1000 Fax (201) 784-0111	Drawing Title: CEE7 standard sheet XVII (CEE 7/17) (without GROUND receptacle) to IEC320/C17, GT Cable #423: 1.0mmsq / 2 Conductors, 6.7mm OD, H05VV-F, 70 Deg.C, 500V, BLU/BRN, Approvals: VDE, S, N, FI, IMQ, KEMA, SEV, SAA,2500mm, GlobTek Black	
	Model No. Power Cord	
	Part No./Ordering No. 489C4232M571A(R)	Rev A1

CUSTOMIZED LENGTHS, COLORS, CABLE TYPES, TERMINATIONS/PLUGS/RECEPTACLES AVAILABLE UPON REQUEST. ADDITIONAL PLUG OPTIONS ARE AVAILABLE AT <https://www.globtek.com/connectors/> STANDARD PLUGS AND CONNECTORS CAN BE SEEN ONLINE AT <https://www.globtek.com/connectors/> ACTUAL CONNECTORS, OVERMOLDS, FERRITES MAY VARY SLIGHTLY FROM THE PICTURE BELOW DIMENSIONS ARE IN MM UNLESS SPECIFIED OTHERWISE

Hanking:200
 Description:200 +/- 20mm
 Image:



Notes/Modifications/Customizations (notes in this section supersede the values shown in the standard spec):